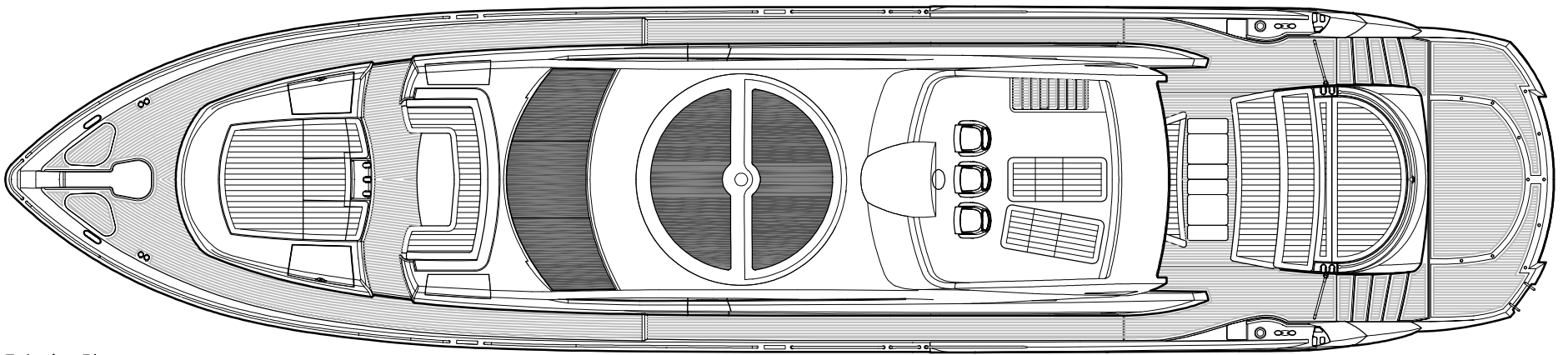
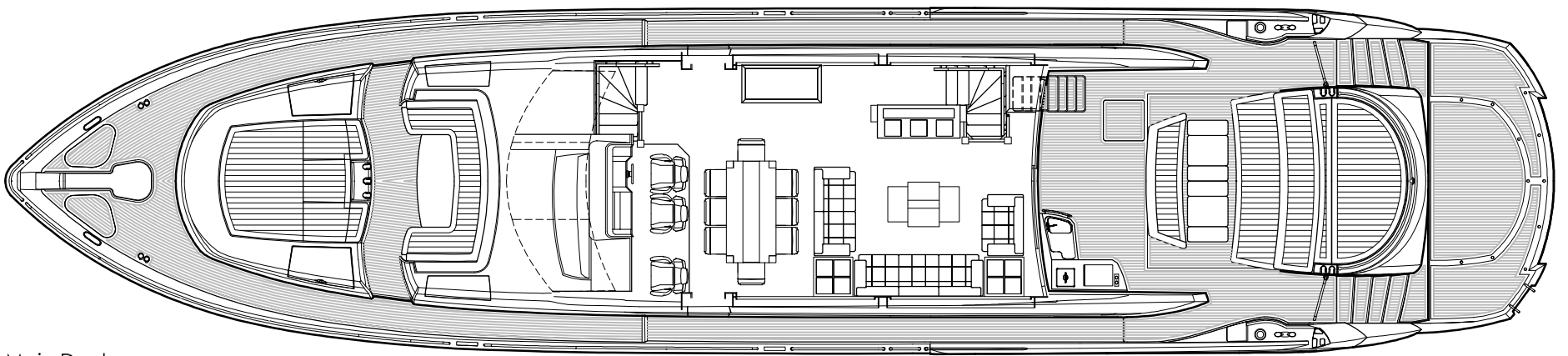


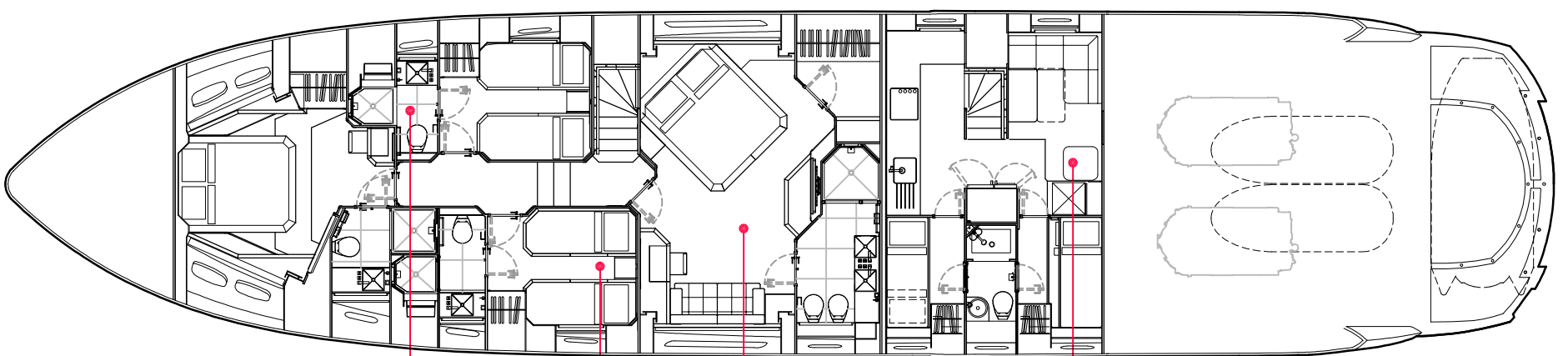
Profile



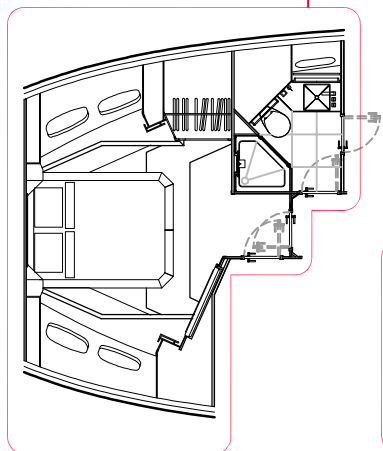
Exterior Plan



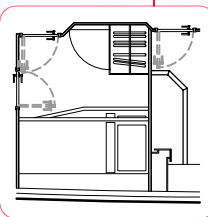
Main Deck



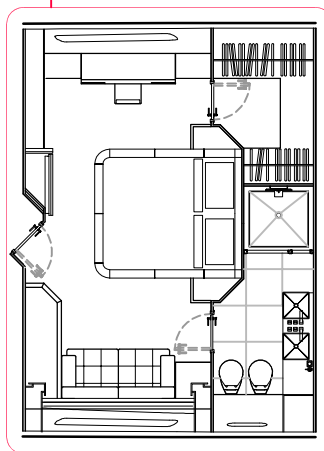
Lower Deck



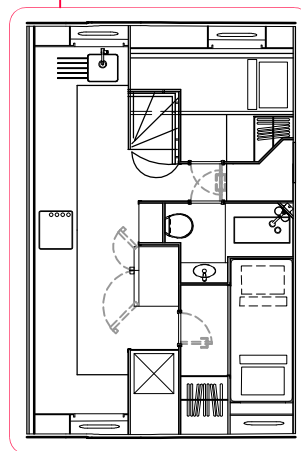
Optional Day Head Layout



Optional Port Pullman & Enlarged Master Layout



Optional Master Stateroom Centreline Berth Layout



Optional Crew/Galley Layout

15	SUNLOUNGERS IN LIEU OF FIXED SUNPAD ON EXTERIOR HELM	01.09.09	SS	
DATE	DATE	DATE	DATE	DATE
		© 2006 SUNSEEKER INTERNATIONAL LTD. ALL RIGHTS RESERVED.		
SUNSEEKER INTERNATIONAL LTD. 2511 WEST QUAY ROAD POOLE DORSET BH12 4JQ TEL: 01202 881111 WWW.SUNSEEKER.COM		CUSTOMER SALES	PROJECT NO. S126-06-07	TITLE SALES GENERAL ARRANGEMENT
SCALE	N.T.S.	DOC. NO.	S126-01-990-01	SHEET 1 OF 1